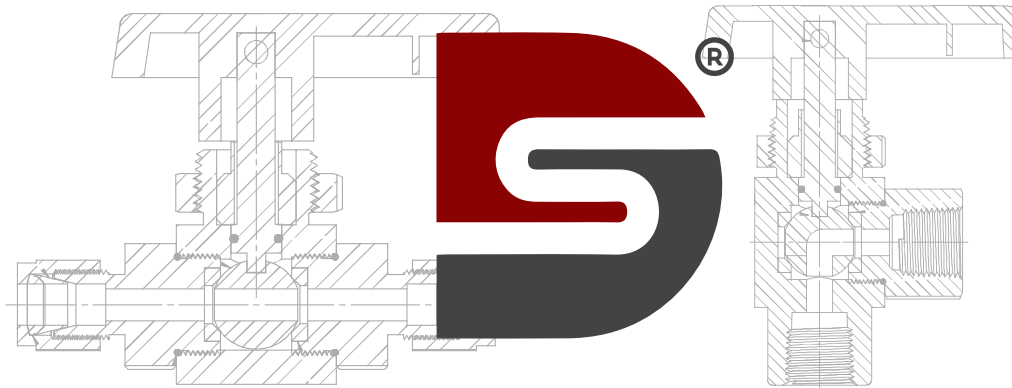


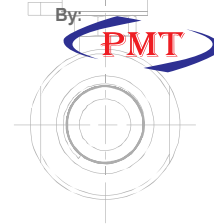
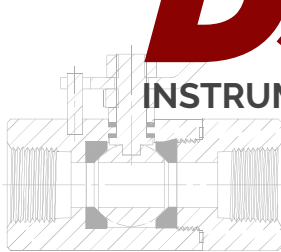


Decide with Confidence
DUNS NO. : 86-917-7745



DS-LOK

INSTRUMENTATION VALVES AND FITTINGS



- Sizes: 1/4" to 2"
- Pressure Ratings: 3,000 PSI , 6,000 PSI,10000 PSI
- NPT, ISO/BSP, Threads
- Stainless Steel (316L,316,304,304L),
Brass, Carbon Steel, Monel, Inconel



Ball Valve

INSTRUMENT BALL VALVE

DS-LOK one-piece instrumentation ball valves have been well accepted and widely used in a variety of industries for many years. The Valves have been manufactured to meet the highest quality and performance standards associated with the instrumentation, control, and process industry marketplace. The DS-LOK product line was initiated and expanded in response to expressed needs for solutions in unique flow control applications. Out of its original beginnings of specialization, standard product lines became available to serve a wide variety of applications and customers.

Specifications

Material	Pressure Ratings	
	CWP	with PTFE Seats
316 Stainless Steel	6000 psig (414 bar)*	1500 psig (103 bar)
Brass	3000 psig (207 bar)	1500 psig (103 bar)
Monel Alloy 400	3000 psig (207 bar)	1500 psig (103 bar)
Hastelloy C-276	4000 psig (276 bar)	1500 psig (103 bar)

Features of Ball Valves

- Two way on-off, 2 Way Angle or 3 way switching models.
- Blow-Out Proof Bottom Loaded stem.
- Low operating torque with SS lever/Fenolic handle.
- Full or reduced Bore for Perfect Flow.
- Fluting ball design for positive seating.
- Working Pressure from 1000 PSI to 6000 PSI.
- With PTFE seat.

Construction of Ball Valves

SS-316, SS-304, Carbon Steel, Brass and Monel Material in different type of end connection include Male/Female thread NPT, BSP, BSPT and Single or Double Tube Fittings ends.

Application of Instrumentation Ball Valves

Process Control, Instrumentation.



- **Pressure Ratings:** 3000 PSI, 6000 PSI
- **Sizes:** 1/4" - 1"
- **Materials:** Stainless Steel (316L, 316, 304, 304L), Steel, Brass, Carbon Steel, Monel, Hastelloy, Inconel
- **Types:** 2 Way, 3 Way, 5 Way,
- **Pattern:** Round Body, Square Body, Hex Body

Note

Materials of Construction is show with dimension table.

INSTRUMENT BALL VALVE

DS-LOK one-piece instrumentation ball valves have been well accepted and widely used in a variety of industries for many years. The Valves have been manufactured to meet the highest quality and performance standards associated with the instrumentation, control, and process industry marketplace. The DS-LOK product line was initiated and expanded in response to expressed needs for solutions in unique flow control applications. Out of its original beginnings of specialization, standard product lines became available to serve a wide variety of applications and customers.

Specifications

Material	Pressure Ratings	
	CWP	with PTFE Seats
316 Stainless Steel	6000 psig (414 bar)*	1500 psig (103 bar)
Brass	1000 psig (70 bar)	1000 psig (70 bar)
Monel Alloy 400	3000 psig (207 bar)	1500 psig (103 bar)
Hastelloy C-276	4000 psig (276 bar)	1500 psig (103 bar)

Construction of Ball Valves

SS-316, SS-304, Carbon Steel, Brass and Monel Material in different type of end connection include Male/Female thread NPT, BSP, BSPT and Single or Double Tube Fittings ends.

Note

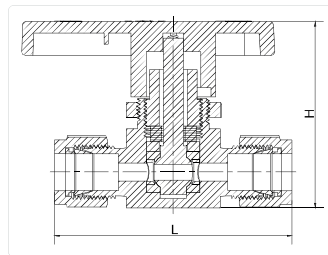
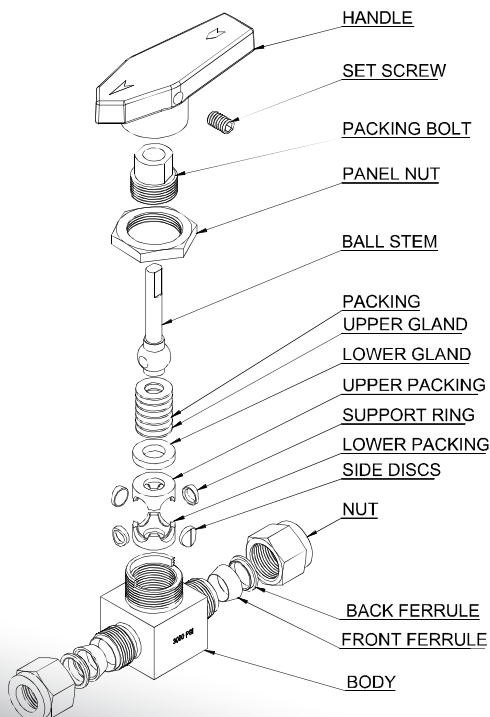
Materials of Construction is show with dimension table.

Features of Ball Valves

- Two way on-off, 2 Way Angle or 3 way switching models.
- Blow-Out Proof Bottom Loaded stem.
- Low operating torque with Nylon with Brass insert handle.
- Full or reduced Bore for Perfect Flow.
- Floating ball design for positive seating.
- Working Pressure from 1000 PSI to 6000 PSI.
- With PTFE/POM/DELTRIN seat.

- **Pressure Ratings:** 3000 PSI, 6000 PSI
- **Sizes:** 1/4" - 1"
- **Materials:** Stainless Steel (316L, 316, 304, 304L), Steel, Brass, Carbon Steel, Monel, Hastelloy, Inconel
- **Types:** 2 Way, 3 Way, 5 Way,
- **Pattern:** Square Body, Hex Body, Round Body
- **Application:** Process control, Instrumentation

INSTRUMENT BALL VALVE-ONE PIECE BODY



SR NO.	PART NAME	MATERIALS	QTY
1	BODY	A479-316L	1
2	BALL STEM	A479-316L	1
3	PACKING BOLT	A479-316L	1
4	UPPER GLAND	A479-316L	1
5	LOWER GLAND	A479-316L	1
6	UPPER PACKING	PTFE	1
7	LOWER PACKING	PTFE	1
8	PANEL NUT	A479-316L	1
9	SUPPORT RING	A479-316L	2
10	SIDE DISCS	A479-316L	2
11	PACKING	A479-316L	6
12	HANDLE	NYLON WITH BRASS INSERT	1
13	NUT	A479-316L	2
14	FRONT FERRULE	A479-316L	2
15	BACK FERRULE	A479-316L	2
16	SET SCREW	STEEL	1

SR NO.	PART NO.	SIZE	L/L1	H	ORIFICE
1	D-BV-2-S-02-FF/OD	1/8" OD/1/8" NPT FEMALE	51/51	51	3
2	D-BV-2-S-04-FF/OD	1/4" OD/1/4" NPT FEMALE	56/56	56	5
3	D-BV-2-S-06-FF/OD	3/8" OD/3/8" NPT FEMALE	63/66	65	8
4	D-BV-2-S-08-FF/OD	1/2" OD/1/2" NPT FEMALE	90/99	99	10
5	D-BV-2-S-12-FF/OD	3/4" OD/3/4" NPT FEMALE	90/99	99	16
6	D-BV-2-S-16-FF/OD	1" OD/1" NPT FEMALE	115/121	112	19

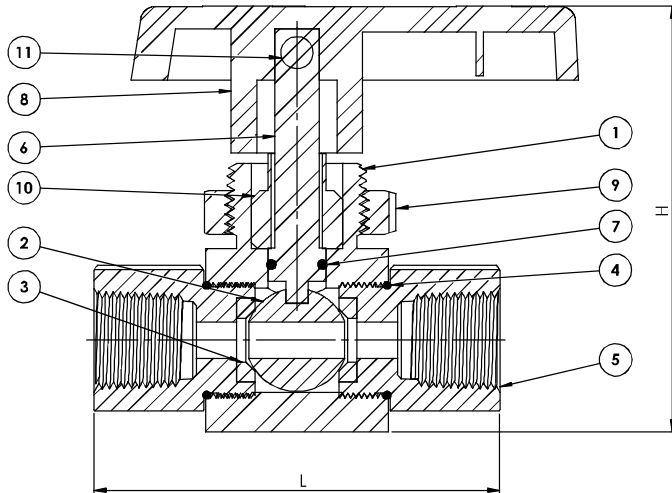
• For more detail contact our factory.

Application

- Analytical market requiring a valve with lowest dead volume to prevent fluid entrapment which can cause contamination.
- Control Sampling Systems, and Process Instrumentation market requiring a valve with compact size, high flow capacity and directional indication of flow.

INSTRUMENT BALL VALVE-THREE PIECE DESIGN-6000 PSI

FEMALE-FEMALE



Features

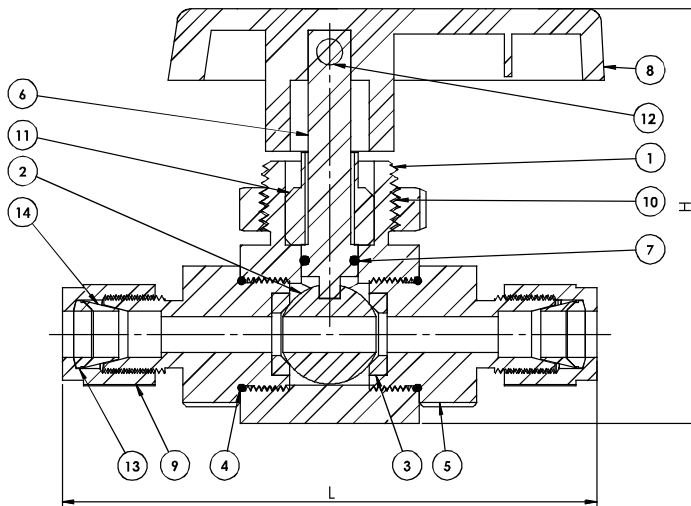
- Free floating ball design provides seat wear compensation.
- Micro-finished ball provides a positive seal.
- Straight through flow path for minimum pressure drop.



ITEM NO.	PART NAME	MATERIALS	QTY
1	BODY	A479-316L/B-16	1
2	BALL	A479-316	1
3	SEAL	PTFE/POM	2
4	O-RING	VITON/BUNA-N	2
5	ADAPTOR	A479-316L/B-16	2
6	SPINDLE	A479-316	1
7	O-RING	VITON/BUNA-N	1
8	HANDLE	PHENOLIC/SS LEVER	1
9	PANEL NUT	A479-316L/B-16	1
10	GLAND NUT	A479-316L/B-16	1
11	GRUB SCREW	STEEL	1

SR NO.	PART NO.	SIZE	L	H	ORIFICE
1	D-BV-2-S-02-FF	1/8" FEMALE NPT	70	50	3
2	D-BV-2-S-04-FF	1/4" FEMALE NPT	70	50	5
3	D-BV-2-S-06-FF	3/8" FEMALE NPT	72	50	8
4	D-BV-2-S-08-FF	1/2" FEMALE NPT	85	60	10
5	D-BV-2-S-12-FF	3/4" FEMALE NPT	98	60	16
6	D-BV-2-S-16-FF	1" FEMALE NPT	115	70	19

TUBE END



ITEM NO.	PART NAME	MATERIALS	QTY
1	BODY	A479-316L/B-16	1
2	BALL	A479-316	1
3	SEAL	PTFE/POM	2
4	O-RING	VITON/BUNA-N	2
5	ADAPTOR	A479-316L/B-16	2
6	SPINDLE	A479-316	1
7	O-RING	VITON/BUNA-N	1
8	HANDLE	PHENOLIC/SS LEVER	1
9	NUT	A479-316L/B-16	2
10	PANEL NUT	A479-316L/B-16	1
11	GLAND NUT	A479-316L/B-16	1
12	GRUB SCREW	STEEL	1
13	BACK FERRULE	A479-316L/B-16	2
14	FRONT FERRULE	A479-316L/B-16	2

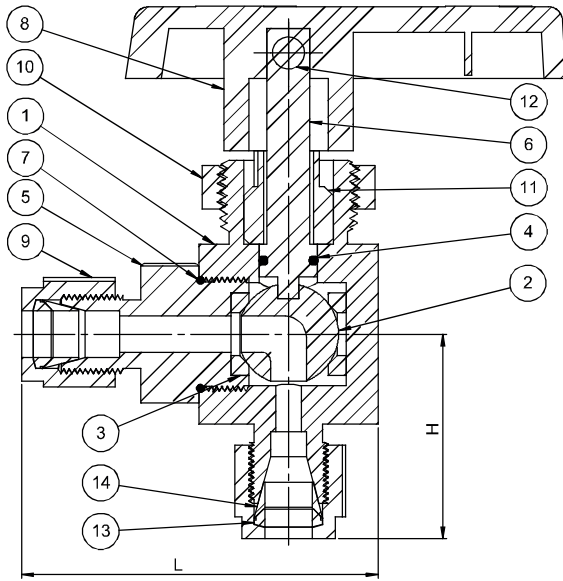
Features

- Free floating ball design provides seat wear compensation.
- Micro-finished ball provides a positive seal.
- Straight through flow path for minimum pressure drop.
- 90 degree actuation.
- Adjustable PTFE stem seal can be maintained in-line.

SR NO.	PART NO.	SIZE	L	H	ORIFICE
1	D-BV-2-S-02-OD	1/8" OD	78	50	3
2	D-BV-2-S-M04-OD	4mm OD	78	50	3
3	D-BV-2-S-04-OD	1/4" OD	78	50	5
4	D-BV-2-S-M06-OD	6mm OD	78	50	5
5	D-BV-2-S-05-OD	5/6" OD	78	50	5
6	D-BV-2-S-M08-OD	8mm OD	78	50	5
7	D-BV-2-S-06-OD	3/8" OD	85	50	8
8	D-BV-2-S-M10-OD	10mm OD	85	50	8
9	D-BV-2-S-08-OD	1/2" OD	102	60	10
10	D-BV-2-S-M12-OD	12mm OD	102	60	10
11	D-BV-2-S-10-OD	5/8" OD	97	63	10
12	D-BV-2-S-M16-OD	16mm OD	97	63	10
13	D-BV-2-S-12-OD	3/4" OD	115	60	16
14	D-BV-2-S-M20-OD	20mm OD	115	60	16
15	D-BV-2-S-16-OD	1" OD	121	73	19
16	D-BV-2-S-M25-OD	25mm OD	121	73	19

INSTRUMENT ANGLE BALL VALVE - 6000 PSI

ANGLE : TUBE END



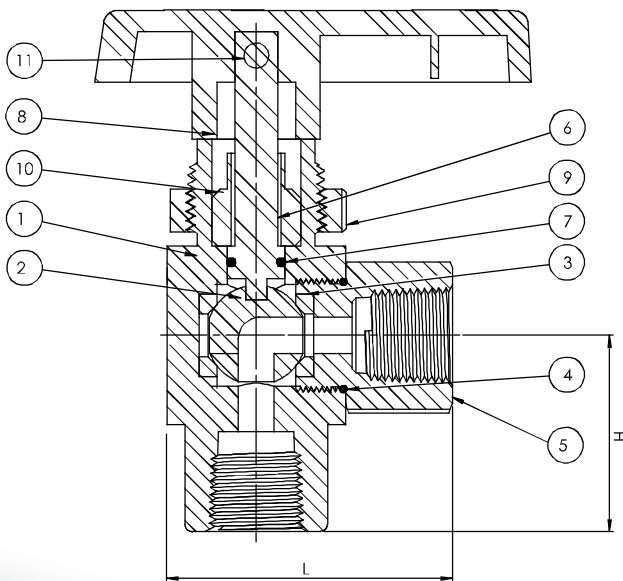
Features

- Free floating ball design provides seat wear compensation.
- Micro-finished ball provides a positive seal.
- Straight through flow path for minimum pressure drop.
- Positive handle stop.
- Adjustable PTFE stem seal can be maintained in-line.

ITEM NO.	PART NAME	MATERIALS	QTY
1	BODY	A479-316L/B-16	1
2	BALL	A479-316	1
3	SEAL	PTFE/POM	2
4	O-RING	VITON/BUNA-N	1
5	ADAPTOR	A479-316L/B-16	1
6	SPINDLE	A479-316	1
7	O-RING	VITON/BUNA-N	1
8	HANDLE	PHENOLIC/SS LEVER	1
9	NUT	A479-316L/B-16	2
10	PANEL NUT	A479-316L/B-16	1
11	GLAND NUT	A479-316L/B-16	1
12	GRUB SCREW	STEEL	1
13	FRONT RERRULE	A479-316L/B-16	2
14	BACK FERRULE	A479-316L/B-16	2

SR NO.	PART NO.	SIZE	L	H	ORIFICE
1	D-BV-2A-04-OD	1/4" OD	41	35	5
2	D-BV-2A-06-OD	3/8" OD	41	35	8
3	D-BV-2A-08-OD	1/2" OD	45	40	10
4	D-BV-2A-12-OD	3/4" OD	55	60	16
5	D-BV-2A-16-OD	1" OD	55	60	19

ANGLE: FEMALE-FEMALE



Features

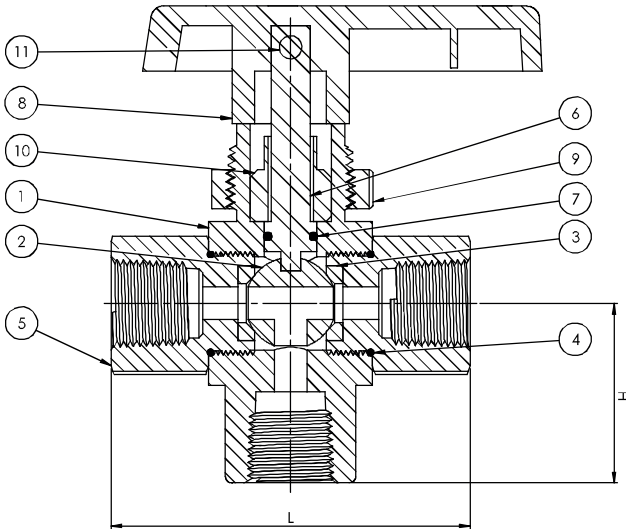
- Free floating ball design provides seat wear compensation.
- Micro-finished ball provides a positive seal.
- Straight through flow path for minimum pressure drop.
- Positive handle stop.
- Adjustable PTFE stem seal can be maintained in-line.

ITEM NO.	PART NAME	MATERIALS	QTY
1	BODY	A479-316L/B-16	1
2	BALL	A479-316	1
3	SEAL	PTFE/POM	2
4	O-RING	VITON/BUNA-N	2
5	ADAPTOR	A479-316L/B-16	2
6	SPINDLE	A479-316	1
7	O-RING	VITON/BUNA-N	1
8	HANDLE	PHENOLIC/SS LEVER	1
9	PANEL NUT	A479-316L/B-16	1
10	GLAND NUT	A479-316L/B-16	1
11	GRUB SCREW	STEEL	1

SR NO.	PART NO.	SIZE (NPT/BSP)	L	H	ORIFICE
1	D-BV-2-S-04-FF	1/4" FEMALE NPT	41	32	3
3	D-BV-2-S-06-FF	3/8" FEMALE NPT	41	32	8
4	D-BV-2-S-08-FF	1/2" FEMALE NPT	45	38	10
5	D-BV-2-S-12-FF	3/4" FEMALE NPT	55	58	16
6	D-BV-2-S-16-FF	1" FEMALE NPT	55	58	19

INSTRUMENT 3 WAY BALL VALVE -6000 PSI

3 WAY : FEMALE-FEMALE



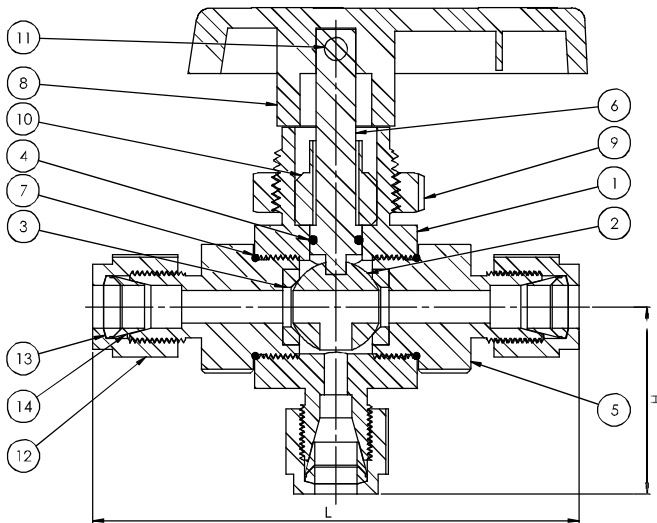
Features

- Free floating ball design provides seat wear compensation.
- Micro-finished ball provides a positive seal.
- Adjustable PTFE stem seal can be maintained in-line.
- 180 degree actuation

ITEM NO.	PART NAME	MATERIALS	QYT
1	BODY	A479-316L/B-16	1
2	BALL	A479-316	1
3	SEAL	PTFE/POM	2
4	O-RING	VITON/BUNA-N	2
5	ADAPTOR	A479-316L/B-16	2
6	SPINDLE	A479-316	1
7	O-RING	VITON/BUNA-N	1
8	HANDLE	PHENOLIC/SS LEVER	1
9	PANEL NUT	A479-316L/B-16	1
10	GLAND NUT	A479-316L/B-16	1
11	GRUB SCREW	STEEL	1

SR NO.	PART NO.	SIZE (NPT/BSP)	L	H	ORIFICE
1	D-BV-3V-S-04-FF	1/4" FEMALE	70	32	3
3	D-BV-3V-S-06-FF	3/8" FEMALE	72	32	8
4	D-BV-3V-S-08-FF	1/2" FEMALE	85	38	10
5	D-BV-3V-S-12-FF	3/4" FEMALE	98	58	16
6	D-BV-3V-S-16-FF	1" FEMALE	115	58	19

3 WAY : TUBE END



Features

- Free floating ball design provides seat wear compensation.
- Micro-finished ball provides a positive seal.
- Adjustable PTFE stem seal can be maintained in-line.
- 180 degree actuation.
- Handle indicate flow direction.



ITEM NO.	PART NAME	MATERIALS	QYT
1	BODY	A479-316L/B-16	1
2	BALL	A479-316	1
3	SEAL	PTFE/POM	2
4	O-RING	VITON/BUNA-N	1
5	ADAPTOR	A479-316L/B-16	2
6	SPINDLE	A479-316	1
7	O-RING	VITON/BUNA-N	2
8	HANDLE	PHENOLIC/SS LEVER	1
9	PANEL NUT	A479-316L/B-16	1
10	GLAND NUT	A479-316L/B-16	1
11	GRUB SCREW	STEEL	1
12	NUT	A479-316L/B-16	3
13	BACK FERRULE	A479-316L/B-16	3
14	FRONT RERRULE	A479-316L/B-16	3

SR NO.	PART NO.	SIZE (NPT/BSP)	L	H	ORIFICE
1	D-BV-3V-S-04-OD	1/4" OD	78	35	5
2	D-BV-3V-S-06-OD	3/8" OD	85	35	8
3	D-BV-3V-S-08-OD	1/2" OD	102	40	10
4	D-BV-3V-S-12-OD	3/4" OD	115	60	16
5	D-BV-3V-S-16-OD	1" OD	121	60	19

BALL VALVE- ROUND BODY DESIGN -3000 PSI

We are counted amongst the reliable company involved in offering a wide array of two Piece Ball Valve. These are manufactured under the supervision of our experts using very high quality steel that are sourced from very reliable vendors. These types of valves are widely used to control the flow into delicate gauges. We offer these products at industry leading prices to our valuable clients.

Features

- Available in SS316
- Heat code traceable to certified material test report
- Two piece body design, Bi-directional Flow
- PTFE or PEEK Ball Seat, Bubble tight shut-off
- Floating Ball design provides seat wear compensation
- Connection thread environmentally sealed
- Variety of end configuration includes
- Anti blow-out stem, Low torque operation
- Quarter turn positive stop handle
- Every valve is factory tested
- Micro-finished ball provides a positive seal.
- Adjustable PTFE stem seal can be maintained in-line.
- Handle indicate flow direction.



Specifications

Max. Working Pres. . 6,000 psi (413 bar)

Seat Type Soft Seat

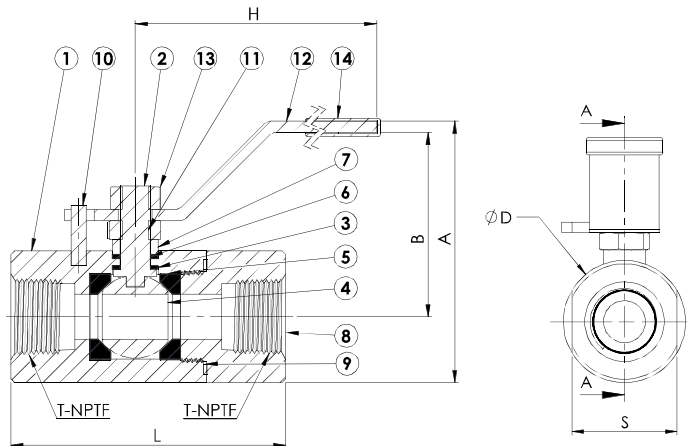
Materials Stainless Steel (316L,316, 304,304L), Monel,Inconel, Carbon Steel,Duplex Steel. NACE MR-01-75 is available. (For Sour gas Service)

Service Medium Liquid, Gas or Vapor Service water and Oil

Ball Hard chrome plated

Connection Screwed(NPT,BSP,BSPT) ISO,Socket Weld,Tube End

6

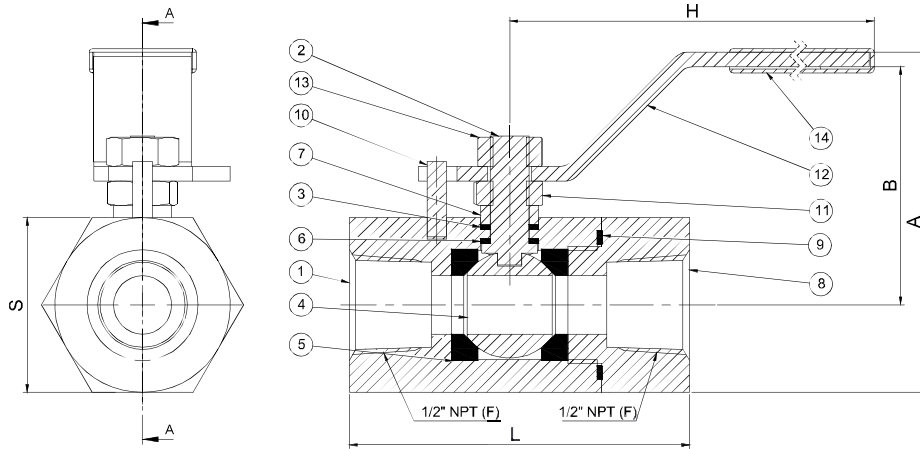


PART NO.	SIZE	TYPE	T-NPTF	L	D	S	H	A	B
D-RO2P-4-FF	1/4"	FXF	1/4"	55	27	23	78.5	53.5	37.5
D-RO2P-6-FF	3/8"	FXF	3/8"	55	27	23	78.5	53.5	37.5
D-RO2P-8-FF	1/2"	FXF	1/2"	73	35	30	106	69.5	49
D-RO2P-12-FF	3/4"	FXF	3/4"	78.5	44.5	38	157	67.5	45
D-RO2P-25-FF	1"	FXF	1"	90	55.5	43	156	81.5	49.8
D-RO2P-38-FF	1-1/2"	FXF	1-1/2"	131.5	92	75	235	155	101.5
D-RO2P-50-FF	2"	FXF	2"	136.5	97	80	240	160	106.5

ITEM NO.	PART NAME	MATERIALS	QYT
1	BODY	A479-316L/A105	1
2	STEM	A479-316	1
3	STEM PACKING	PTFE/GRAPHOIL	1
4	BALL	A479-316L/A105	1
5	BALL SEAL	PTFE/GRAPHOIL	2
6	GLAND PACKING	PTFE/GRAPHOIL	AS REQ.
7	GLAND WASHER	A479-316L/A105	AS REQ.
8	ADAPTOR	A479-316L/A105	1
9	BODY SEAL	PTFE/GRAPHOIL	1
10	LOCK PIN	A479-316L/A105	1
11	GLAND NUT	A479-316L/A105	1
12	HANDLE	A479-316L/A105	1
13	LOCK NUT	A479-316L/A105	1
14	SLEEVE	PVC	1

BALL VALVE - HEX 2 PIECE DESIGN- 6000 PSI

We are counted amongst the reliable company involved in offering a wide array of two Piece Ball Valve. These are manufactured under the supervision of our experts using very high quality steel that are sourced from very reliable vendors. These types of valves are widely used to control the flow into delicate gauges. We offer these products at industry leading prices to our valuable clients.



Features

- Free floating ball design provides seat wear compensation.
- Micro-finished ball provides a positive seal.
- Straight through flow path for minimum pressure drop.
- Adjustable PTFE stem seal can be maintained in-line.

Specifications

Max. Working Pres.	6,000 psi (413 bar)
Seat Type	Soft Seat
Materials	Stainless Steel (316L,316, 304,304L), Monel,Inconel, Carbon Steel,Duplex Steel. NACE MR-01-75 is available. (For Sour gas Service)
Service Medium	Liquid, Gas or Vapor Service water and Oil
Ball	Hard chrome plated
Connection	Screwed(NPT,BSP,BSPT) ISO,Socket Weld,Tube End

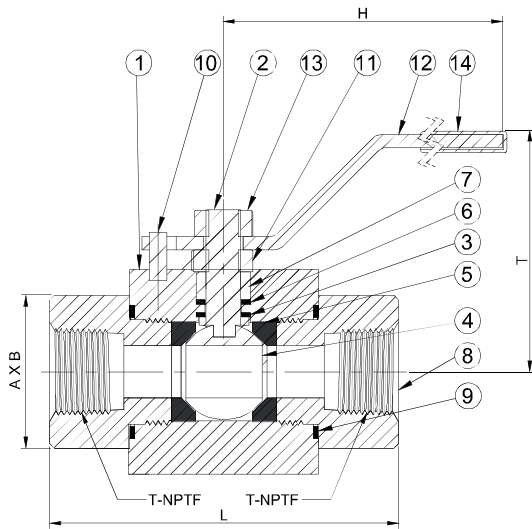


PART NO.	SIZE	TYPE	T-NPTF	L	S	H	A	B
D-HX2P-4-FF	1/4"	FXF	1/4"	55	27	78.5	53.5	37.5
D-HX2P-6-FF	3/8"	FXF	3/8"	55	27	78.5	53.5	37.5
D-HX2P-8-FF	1/2"	FXF	1/2"	73	36	106	69.5	49
D-HX2P-12-FF	3/4"	FXF	3/4"	78.5	45	157	67.5	45
D-HX2P-25-FF	1"	FXF	1"	90	55	156	81.5	49.8

ITEM NO.	PART NAME	MATERIALS	QYT
1	BODY	A479-316L/A105	1
2	STEM	A276-316	1
3	STEM PACKING	PTFE/GRAPHOIL	1
4	BALL	A479-316L/A105	1
5	BALL SEAL	PTFE/GRAPHOIL	2
6	GLAND PACKING	PTFE/GRAPHOIL	AS REQ.
7	GLAND WASHER	A276-316L/A105	AS REQ.
8	ADAPTOR	A479-316L/A105	1
9	BODY SEAL	PTFE/GRAPHOIL	1
10	LOCK PIN	A479-316L/A105	1
11	GLAND NUT	A479-316L/A105	1
12	HANDLE	A276-316L/A105	1
13	LOCK NUT	A479-316L/A105	1
14	SLEEVE	PVC	1

BALL VALVE - 3 PIECE DESIGN- 6000 PSI

DS-LOK 3 Piece Ball Valve is designed for a range of media up to 6,000 psi. Its internally loaded blow-out proof stem and floating ball for positive shut-off along with other features offer a robust compact and easy to operate valve solution. The Ball Valve is available in 1/4" to 1" NPT connections. Please consult factory for additional material options and/or end connections.



Features

- Free floating ball design provides seat wear compensation.
- Micro-finished ball provides a positive seal.
- Straight through flow path for minimum pressure drop.
- Adjustable PTFE stem seal can be maintained in-line.
- Ball is hard chrome plated which provides less friction to operate the valve.
- Low torque operation.
- PTFE and Graphoil gland packings.

Specifications

Max. Working Pres. :	6,000 psi (413 bar)
Seat Type :	Soft Seat
Materials	Stainless Steel (316L, 316, 304, 304L), Monel, Inconel, Carbon Steel, Duplex Steel. NACE MR-01-75 is available. (For Sour gas Service)
Service Medium :	Liquid, Gas or Vapor Service water and Oil
Ball :	Hard chrome plated
Connection :	Screwed (NPT, BSP, BSPT) ISO, Socket Weld, Tube End



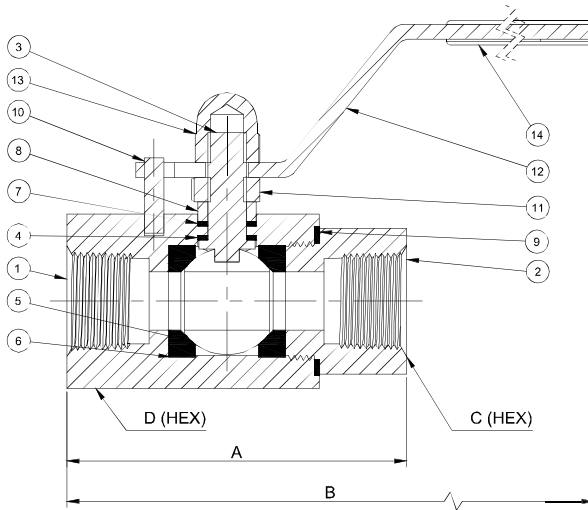
ITEM NO.	PART NAME	MATERIALS	QTY
1	BODY	A479-316L/A105	1
2	STEM	A276-316	1
3	STEM PACKING	PTFE/GRAPHOIL	1
4	BALL	A479-316L/A105	1
5	BALL SEAL	PTFE/GRAPHOIL	2
6	GLAND PACKING	PTFE/GRAPHOIL	AS REQ.
7	GLAND WASHER	A276-316L/A105	AS REQ.
8	ADAPTOR	A479-316L/A105	1
9	BODY SEAL	PTFE/GRAPHOIL	1
10	LOCK PIN	A479-316L/A105	1
11	GLAND NUT	A479-316L/A105	1
12	HANDLE	A276-316L/A105	1
13	LOCK NUT	A479-316L/A105	1
14	SLEEVE	PVC	1

PART NO.	SIZE	TYPE	T-NPTF	A	B	L	H	T	ORIFICE
D-SQ2P-4-FF	1/4"	FXF	1/4"	30	33	76	110	49	4.8
D-SQ2P-6-FF	3/8"	FXF	3/8"	30	33	76	110	49	7
D-SQ2P-8-FF	1/2"	FXF	1/2"	35	38	96	180	64	9.5
D-SQ2P-12-FF	3/4"	FXF	3/4"	43	49	108	180	67	12
D-SQ2P-25-FF	1"	FXF	1"	50	56	125	180	70	20

BALL VALVE - HEX BODY 10000 PSI

DS-LOK two piece bi.directional Ball Valves offer the user full cold working pressure ratings up to 10,000 psi (689) giving 100% bubble tight shut off and continuous repeatable performance. The Ball Valves are suitable for the most demanding applications in the oil, gas and process control industries.

By offering a true two piece design, body leakage paths are reduced to a minimum. With the added opportunity to select integral compressions ends the user can eliminate the use of taper threads and thread sealant. This avoids system contamination, reduces leakage paths, installation costs, weight and space.



Specifications

Max. Working Pres. :	10,000 psi (700 bar)
Seat Type :	Soft Seat
Materials	Stainless Steel (316L, 316, 304, 304L), Monel, Inconel, Carbon Steel, Duplex Steel.
Service Medium	Liquid, Gas or Vapor Service water and Oil
Ball	Hard chrome plated
Connection	Screwed (NPT, BSP, BSPT) ISO, Socket Weld

Features

- Two piece body design - minimal leakage paths.
- Bubble tight shutoff.
- Low torque operation.
- Connector thread environmentally sealed.
- Full hydrostatic and low pressure air tested.
- Anti blowout stem.
- PTFE and Graphoil gland packings.
- Quarter turn positive stop handle with ergonomically designed protective sleeve.



ITEM NO.	SIZE	Dimensions mm			
		A	B	C-Hex	D-Hex
D-BLVHX-SS-6MTE	6mm OD	95	166	22	30
D-BLVHX-SS-8MTE	8mm OD	97	166	32	38
D-BLVHX-SS-10MTE	10mm OD	100	168	32	38
D-BLVHX-SS-12MTE	12mm OD	105	170	36	41
D-BLVHX-SS-4TE	1/4" OD	95	166	22	30
D-BLVHX-SS-6TE	3/8" OD	99	168	32	38
D-BLVHX-SS-8TE	1/2" OD	105	170	36	41
D-BLVHX-SS-4MF	1/4" Male NPT	70	162	22	30
D-BLVHX-SS-8MF	1/2" Male NPT	85	167	36	41
D-BLVHX-SS-4FF	1/4" Female NPT	70	163	22	30
D-BLVHX-SS-6FF	3/8" Female NPT	71	162	32	38
D-BLVHX-SS-8FF	1/2" Female NPT	85	167	36	41

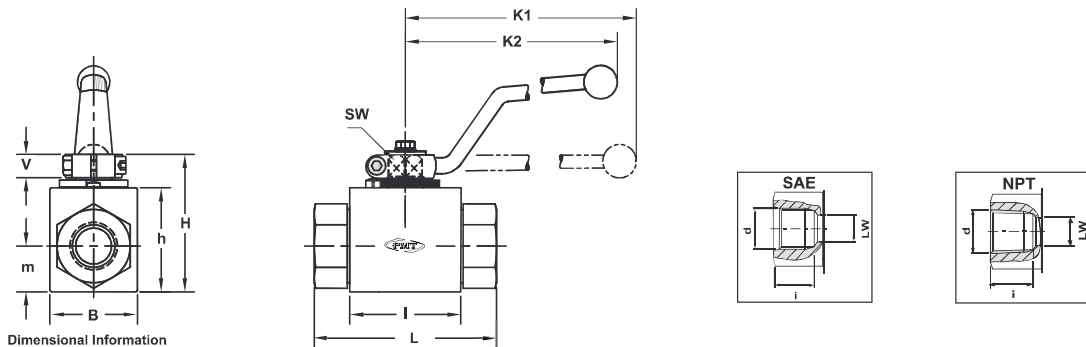
ITEM NO.	PART NAME	MATERIALS	QTY
1	BODY	A479-316L/A105	1
2	ADAPTOR	A479-316L/A105	1
3	STEM	A276-316	1
4	STEM PACKING	PTFE	1
5	BALL	ASTM A182 F316	1
6	BALL SEAL	PEEK	2
7	GLAND PACKING	PTFE	1
8	GLAND WASHER	A276-316L/A105	1
9	BODY SEAL	PTFE	1
10	LOCK KEY	A479-316L/A105	1
11	GLAND NUT	A479-316L/A105	1
12	HANDLE	SS 304	1
13	LOCK NUT	A479-316L/A105	1
14	SLEEVE	PVC MOULDED	1

BALL VALVE - 3 PIECE DESIGN -10000 PSI

DS-LOK Ball Valves are available in a variety of configurations and a range of sizes to suit most hydraulic applications. Ball Valves are a simple method of controlling flow by a means of a ported ball supported on seals in a special housing. We offer these products at industry leading prices to our valuable clients.

Features

- No lubrication or maintenance required for the life of the valve.
- All valves are easily and completely repairable.
- All valves offer completely bidirectional operation, eliminating any chance of incorrect installation.
- No threads in fluid service to contaminate flow or cause turbulence.
- Hard chromium plated micro-smooth ball greatly reduces friction and seat wear.



Specifications

Max. Working Pres.:	10,000 psi (700 bar)
Seat Type	: Soft Seat
Materials	: Stainless Steel (316L,316, 304,304L), Monel,Inconel, Carbon Steel,Duplex Steel.
Service Medium	: Liquid, Gas or Vapor Service water and Oil
Ball	: Hard chrome plated
Connection	: Screwed(NPT,BSP,BSPT) ISO,Socket Weld,SAE



SIZE	d	d	i	i	L	LW	LW	I	B	H	h	m	V	SW	K ₁	K ₂
	NPT	SAE	NPT	SAE	SAE / NPT	NPT	SAE	in mm	in mm	in mm	in mm	in mm	in mm	in mm	in mm	in mm
1/8"	1/8-27	5/16-24	0.51 0.51	0.55 13.97	2.72 69.00	0.24 6.10	0.2 5.08	1.57 39.88	1.02 25.91	1.85 46.99	1.30 33.02	0.53 13.46	0.43 10.92	0.35 9	5.91 150.1	4.53 115.06
1/4"	1/4-18	7/16-20	0.67 0.67	0.61 15.49	2.83 72.00	0.39 10.00	0.39 10.00	1.69 42.93	1.26 32.00	2.05 52.07	1.50 38.10	0.69 17.53	0.43 10.92	0.35 9	5.91 150.1	4.53 115.06
3/8"	3/8-18	9/16-18	0.69 0.69	0.69 17.53	3.27 83.06	0.51 13.00	0.51 13.00	1.89 48.01	1.38 35.05	2.13 54.10	1.57 39.88	0.75 19.05	0.43 10.92	0.35 9	5.91 150.1	4.53 115.06
1/2"	1/2-14	3/4-16	0.62 0.62	0.71 17.53	3.74 95.00	0.79 20.00	0.79 20.00	2.44 61.98	1.93 49.02	2.95 74.93	2.24 56.90	0.96 24.38	0.55 13.97	0.55 14	7.87 199.90	6.73 171
3/4"	3/4-14	1 1/16-12	0.71 0.71	0.79 20.00	4.45 113.00	0.98 25.00	0.98 25.00	2.60 66.04	2.28 57.91	3.27 83.06	2.56 65.02	1.16 29.46	0.55 13.97	0.55 14	7.87 199.90	6.30 160
1"	1-11 1/2	1 5/16-12	1.09 1.09	0.79 20.00	4.45 113.00	0.98 25.00	0.98 25.00	2.60 66.04	2.28 57.91	3.27 83.06	2.56 65.02	1.16 29.46	0.55 13.97	0.55 14	7.87 199.90	6.30 160
1"H	1 1/2-11 1/2	1 5/8-12	0.79 0.79	0.79 20.00	4.45 113.00	0.98 25.00	0.98 25.00	2.91 74.00	2.75 70.00	3.46 88.00	2.75 70.00	1.36 34.50	0.55 14.00	0.55 14	7.90 200	6.30 160



DS-LOK

INSTRUMENTATION VALVES AND FITTINGS



Valves

- Needle Valves
- Manifold Valves
- In Line Check Valve
- Proportional Relief Valves
- Instrument Ball Valves
- Mono Flange Valves
- Integral Block & Bleed Valves
- Bleed & Purge Valves
- Thermowells
- Pressure gauge Accessories

Fittings

- Tube Fittings
- Pipe Fittings
- High Pressure- Pipe Fittings
- Hydraulic Fittings
(DIN 2353, JIC Fittings, ORFS Fittings)

Forged Steel Valves

- Forged Steel Globe Valves (Cryogenic Available)
- Forged Steel Gate Valves (Cryogenic Available)
- Forged Steel Lift check Valves
- Forged Steel Ball Valves (Cryogenic Available)